



**Sockets** with retaining clips for Cradle Relay N, S and P

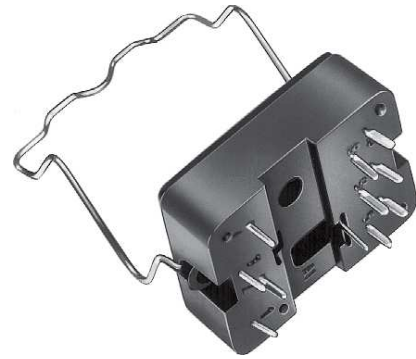
for solder connection

for mounting in printed circuit boards

Size I



Weight approximately 3,5 g



Weight approximately 4,5 g

Size II



Weight approximately 4,5 g



Weight approximately 5,5 g

Size III



Weight approximately 5,5 g

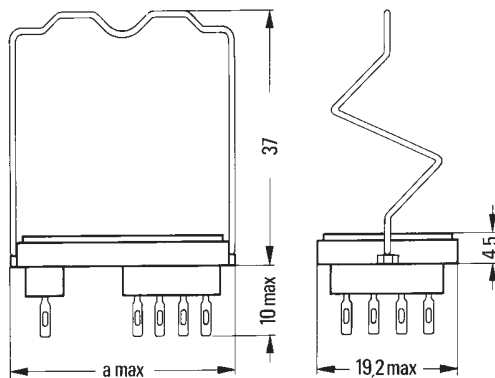


Weight approximately 6,5 g

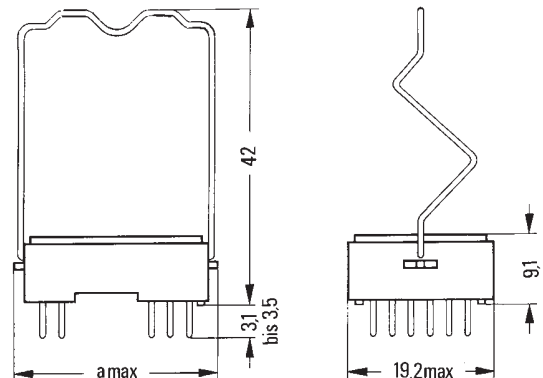
## Cradle Relay - Accessories and Installation

### Sockets with retaining clips for Cradle Relay N, S and P

for solder connection



for mounting in printed circuit boards



Sockets	Size I	Size II	Size III
Dimension a	26,6	32,5	38

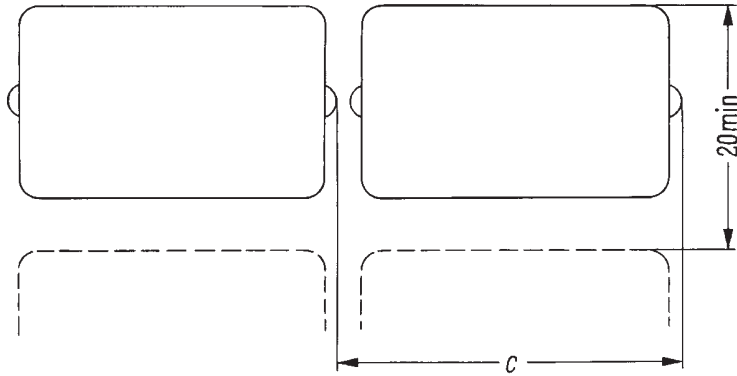
### Order designation

Variant	Size	Order designation
Sockets		
For mounting in printed circuits, connections silver-plated	I	V23154-Z1001
	II	V23154-Z1002
	III	V23154-Z1028
For solder connection, individual solder terminals, silver-plated	I	V23154-Z1005
	II	V23154-Z1006
	III	V23154-Z1015
Retaining clips		
for Cradle Relay N, S and P	I	V23154-Z1021
	II	V23154-Z1022
	III	V23154-Z1034

Alle Spezifikationen unterliegen Änderungen. Konsultieren Sie EBK Urban Production GmbH für die neuesten Spezifikationen.  
(All specifications subject to change. Consult EBK Urban Production GmbH for latest specifications)

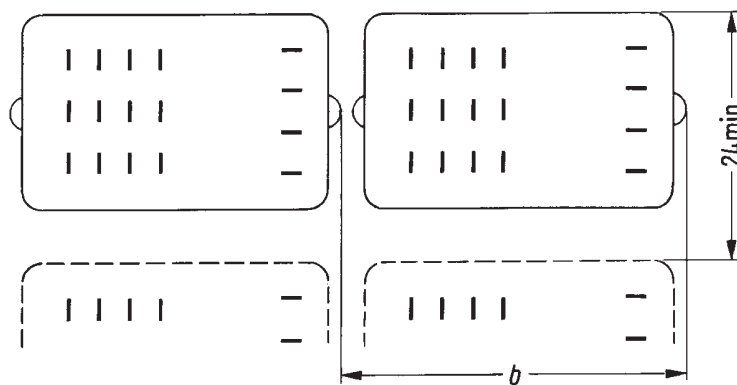
## Cradle Relay - Accessories and Installation

### Minimum spacing of sockets at Cradle Relay N, S



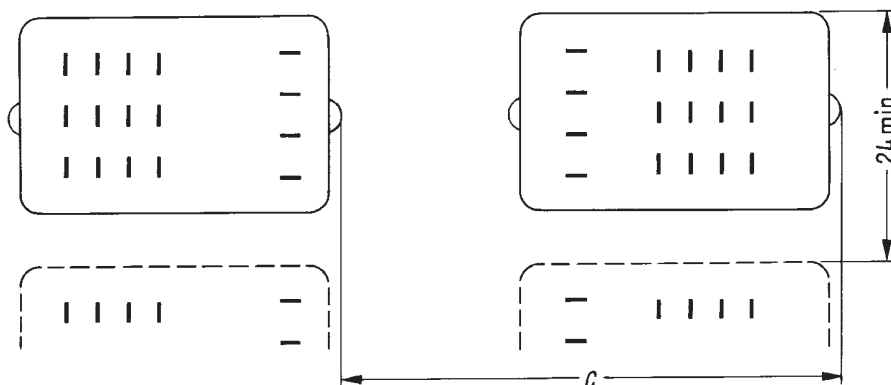
Socket	dimension c
Size I	27
Size II	33
Size III	39

### Minimum spacing of sockets for Cradle Relay P with the same relay arrangement



Socket	dimension b	dimension c
Size I	27	42
Size II	33	48
Size III	39	54

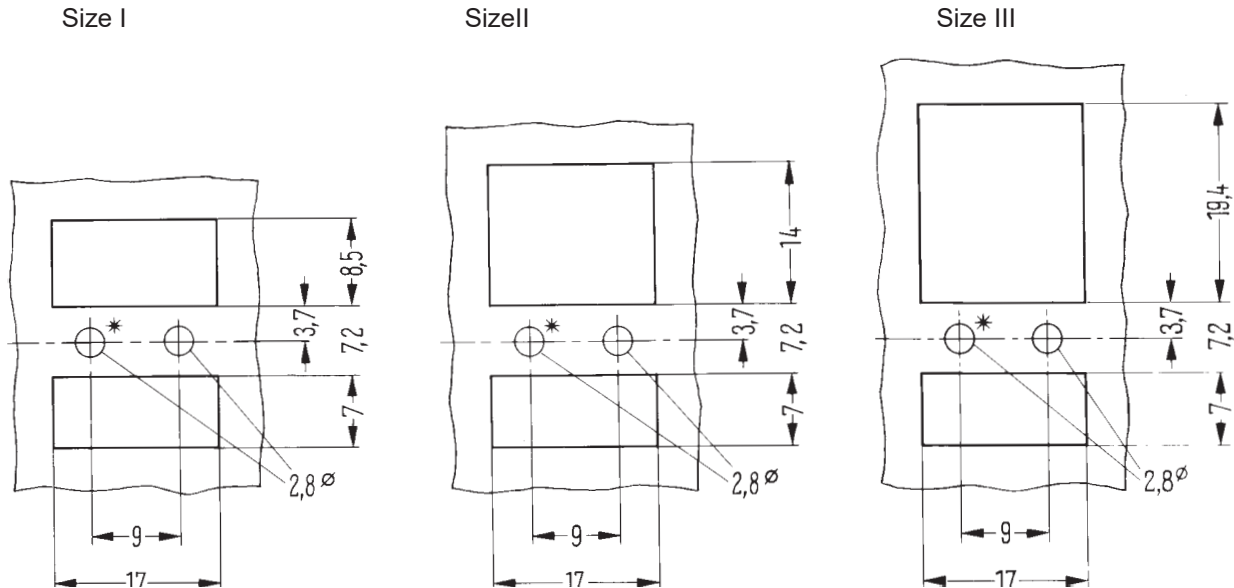
for opposite relay arrangement



When installing Cradle Relay P, consideration must be given to magnetic fields. Strong DC fields, which can also be generated by adjacent relays, as well as larger masses of iron, cause the most disturbance. Under normal operating conditions of Cradle Relay P, the specified minimum distances are usually sufficient to avoid mutual interference

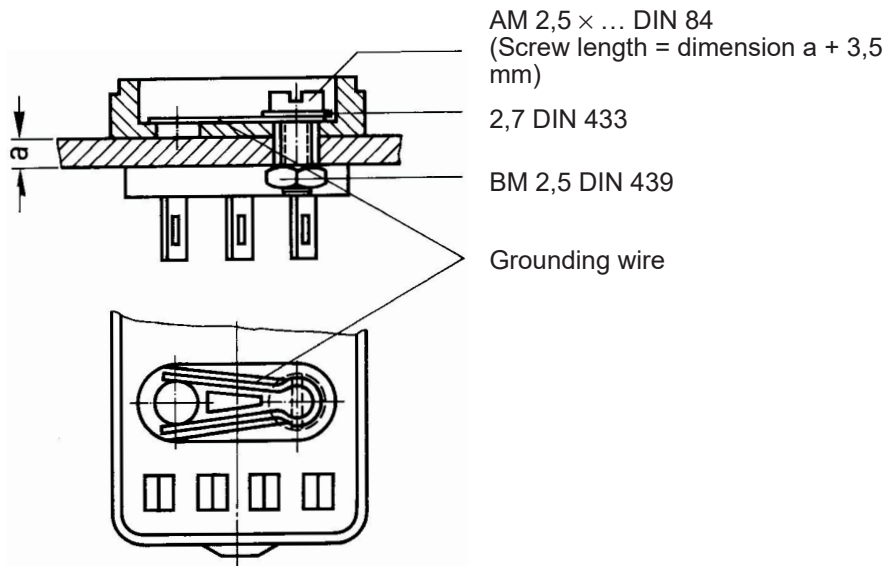
## Cradle Relay - Accessories and Installation

### Mounting holes for Cradle Relay and sockets for solder connection



\*) This bore is omitted if the mounting hole is designated for the socket.

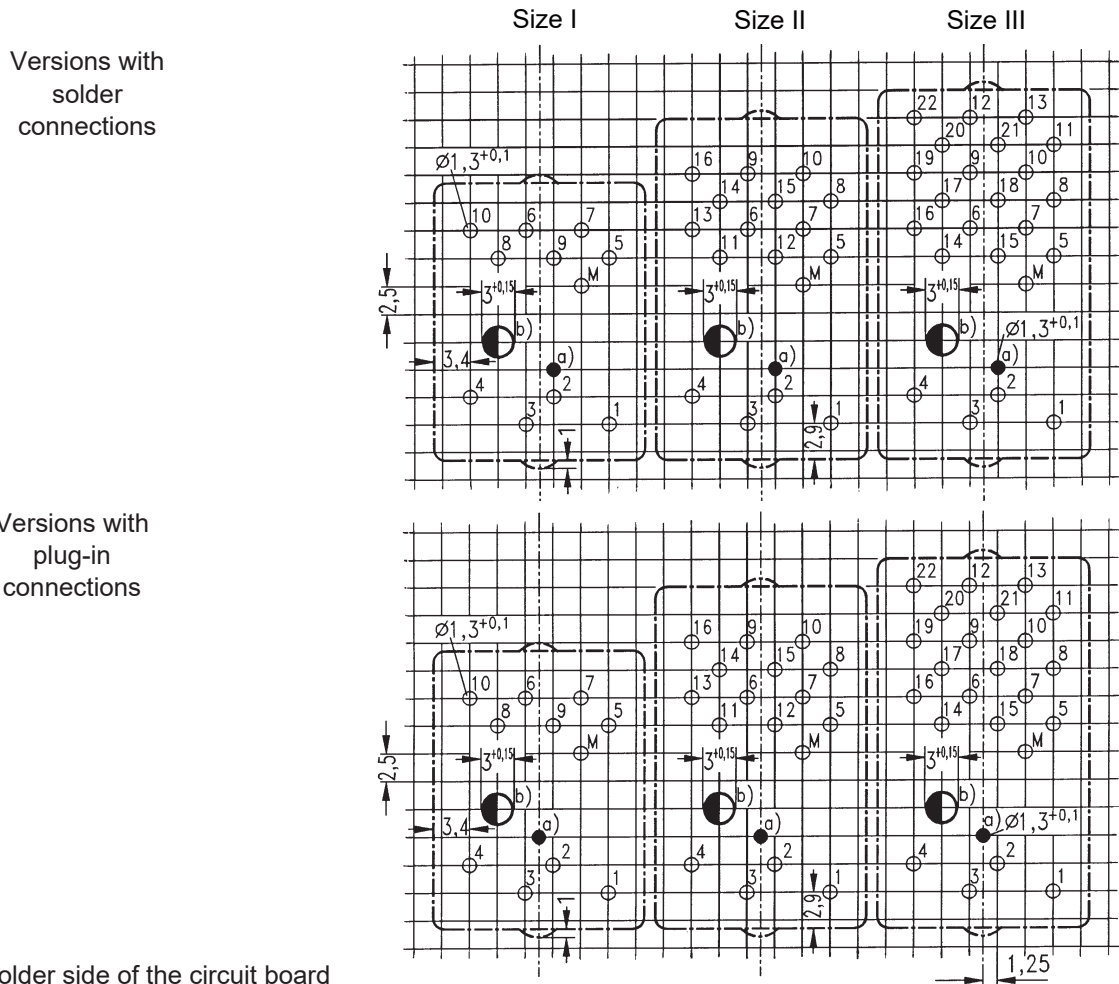
### Mounting of the socket



## Cradle Relay - Accessories and Installation

### Mounting holes for Cradle Relay and sockets for installation in printed circuits.

Terminals with a pitch of 2.5 mm according to DIN 40801.



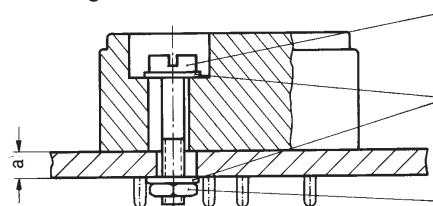
View of the solder side of the circuit board

⊕ M = Ground connection

• Holes as required for mechanical armature actuation

◐ Holes as required for securing the socket with M 1.6 screws

#### Mounting of the socket



AM 1,6 × ... DIN 84  
(Screw length = Maß a + 7,5 mm)

1,7 DIN 433

BM 1,6 DIN 439

Alle Spezifikationen unterliegen Änderungen. Konsultieren Sie EBK Urban Production GmbH für die neuesten Spezifikationen.  
(All specifications subject to change. Consult EBK Urban Production GmbH for latest specifications)